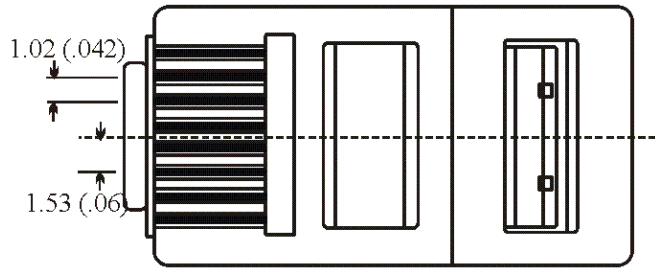
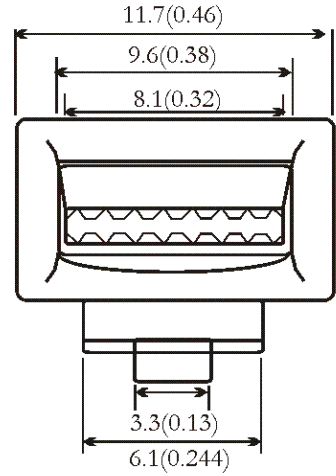
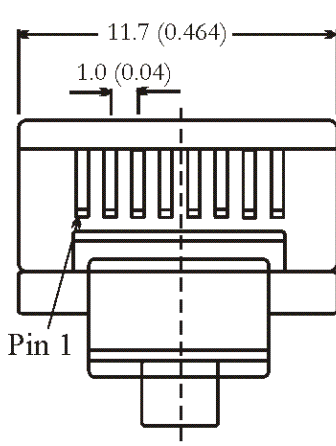
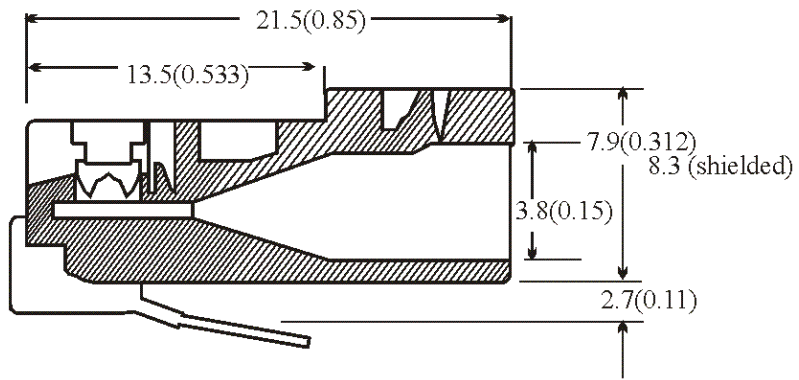


Rev	Description	Revisions	Date	Approved
-----	-------------	-----------	------	----------



*RoHS Compliant
as of 10/20/2005*



Material & Finish

- Housing: Clear Polycarbonate, UL94V-0
- Contact: High Strength Copper Alloy
Gold over Nickel
- Conductor: Stranded or Solid 24-26AWG

Electrical

- UL Apps: 250V AC Max @ 2amps
- Insul Resist: 500 megohms
- Term Resist: 35 milliohms max after enviro testing.

<u>Part#</u>	<u>Description</u>
1001-8P8C	(RJ 45 for Flat Cable)
1001-8P8C-50	(RJ 45 for Flat Cable, 50u")
1001-8P8CK	(RJ 45 With Key)
1001-8P8CS	(RJ 45 for Flat Solid Cable)
1001-8P8CS-50	(RJ 45 for Flat Solid Cable, 50u")
1001-8P8CR	(RJ 45 for Round Cable)
1001-8P8CR-50	(RJ 45 for Round Cable, 50u")
1001-8P8CSR	(RJ 45 for Solid Round Cable)
1001-8P8CSR-50	(RJ 45 for Solid Round Cable, 50u")
1001B-8P8C	(RJ 45 for Stranded, Shielded, 50u")

Description:

Modular Plug, 8P8C

Approvals	Date
Drawn MAC	6/05 1998
Checked	
Issued	

Phyco
1740-A Junction Ave.
San Jose, CA 95112

Drawing#
1001-8P8C Series

Do not Scale Drawings

Ref#

PHYco

1740-A Junction Ave
San Jose, CA 95112

Ph. 408-573-9044

Fax. 408-573-9045

October 20, 2005

PHYCO/JM, Inc.

CERTIFICATE OF COMPLIANCE- RoHS Declaration

For the following Series No's.

1001 (Modular Plug)

Imported By:
Phyco/JM, Inc
1740-A Junction Ave
San Jose, CA 95112

This is to certify that all components used in the above listed Phyco Series' are RoHS compliant and meet the requirements of the current RoHS Directive 2002/95/EC and do not contain above the specified limits of any of the below listed banned substances.

- | | |
|--|-----------------------|
| * Lead | * Hexavalent Chromium |
| * Polybrominated Biphenyls (PBB) | * Mercury |
| * Polybrominated Diphenylethers (PBDE) | * Cadmium |



Jennifer Mahoney
Product Compliance Manager
Phyco/JM, Inc.
408-573-9044
jpapaleo@phyco.com